



Product details

09 03 000 6202

High current contacts for type M

Description High current contacts, type M
Female contacts
Contacts for female connectors
Working current 20A max.
Standard contacts
Straight solder terminations
Performance level 2 as per IEC 60603-2

RoHS compliant Yes

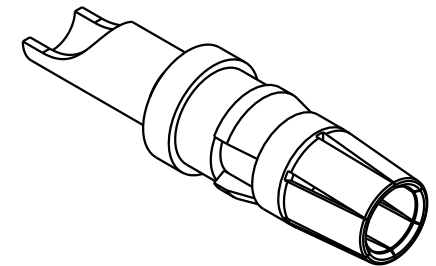
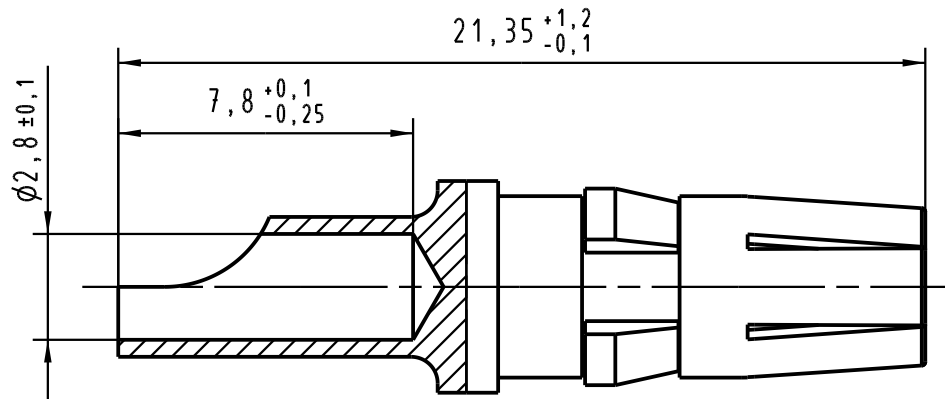
5



4

3

2

1



A	 All Dimensions in mm Original Size DIN A 4		Techn. Character. DIN 41626 Teil 1			Nicht tolerierte Maßel Free size tolerances DIN 41626 Teil 1		
				Dat.	Name	Maßstab/Scale 5 : 1	Hochstromkontaktbuchse 20A Löt für Federleiste Typ M <i>female power contact 20A solder for female connector type M</i>	
				Detail.	17.07.02			Buß.
				Insp.	17.07.02			kfoe
				Stand.				
	32669	18.04.05	Cla	HARTING Electronics GmbH & Co. KG D-32339 ESPELKAMP			TB 09 03 000 6202	Blatt/ page Sub. TB 09 03 000 620. Mod. 14667 v. 21.04.93
	30079			Mod.	Dat.	Name		

D

C

B